



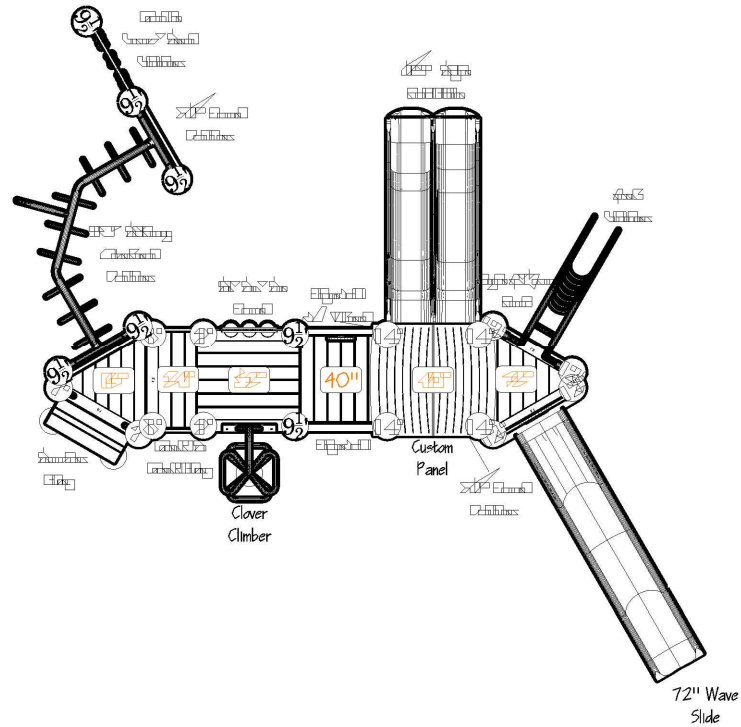
Manufactured, with  
Integrity, using a Green  
Circle Certified  
Product

**POLY TUF**  
POLY FORCE

**PLAYMAX**  
6x6 Structural FRP Posts

37'-10<sup>9</sup>/<sub>16</sub>"

37'-1<sup>5</sup>/<sub>16</sub>"



Nurturing Creativity Through Innovative Play™

**Playtopia, Inc.**

2130 McKays Way,  
Forgeseset, Kentucky 402301  
Phone: 1-606-485-4004  
Web: [www.playtopia.com](http://www.playtopia.com)  
Email: [info@playtopia.com](mailto:info@playtopia.com)

Project Name

Playtopia Representative

DWG No.

**PT**  
100435

**FOR**  
**AGES**  
**5-12**

**USE ZONE**  
**38'X38'**

**IMPORTANT!**

As specified by the ASTM standard F.1487, the US consumer Product Safety Commission and Canadian Standard CAN/CSA-2-2-14, resilient surfacing should be utilized within the minimum use zones as specified on this drawing. The resilient surfacing should be installed at the minimum depth as specified by the standards to meet critical fall height requirements.

Drawn By:

Drawn On:  
7.2.2015

Representative Information