

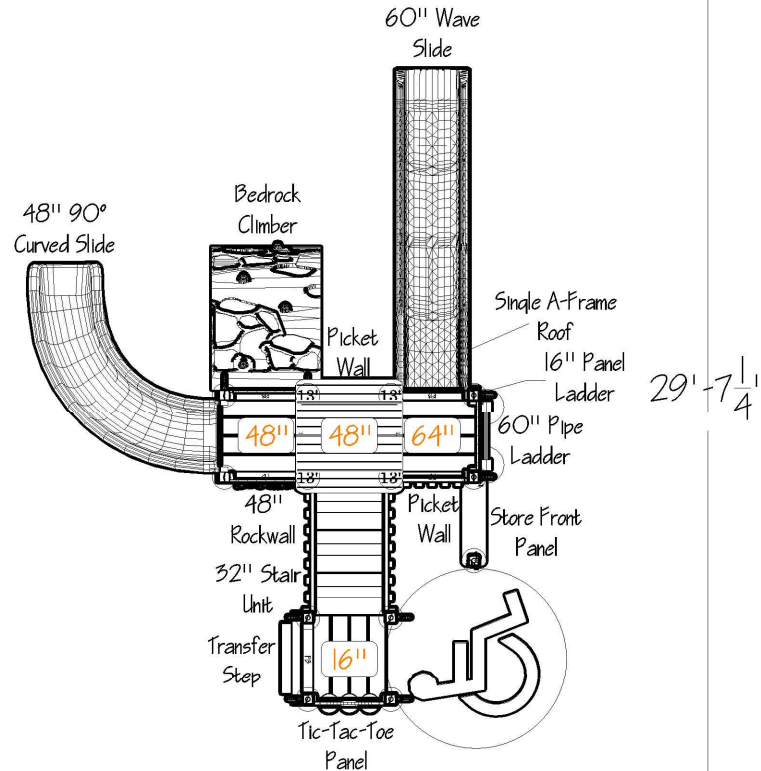


Manufactured, with integrity, using a Green Circle Certified Product

POLYTUF  
POLYFORCE



24'-9 $\frac{1}{4}$ "



Nurturing Creativity Through Innovative Play™

**Playtopia, Inc.**  
217 Murphy Ave.  
Ferguson, Kentucky 42533  
Phone: 1-606-485-4406  
Web: www.goplaytopia.com  
Email: info@goplaytopia.com

Project Name

DWG No.  
**VM**  
100111

Playtopia Representative

**FOR AGES 5-12**  
**USE ZONE 25'X30'**

**IMPORTANT!**

As specified by the ASTM standard F.1487, the US consumer Product Safety Commission and Canadian Standard CAN/CSA-Z-414, resilient surfacing should be utilized within the minimum use zones as specified on this drawing. The resilient surfacing should be installed at the minimum depth as specified by the standards to meet critical fall height requirements.

Drawn By:

Drawn On:  
9.29.2015

Representative Information