



Manufactured with integrity, using a Green Circle Certified Product

POLYTUF
POLYFORCE

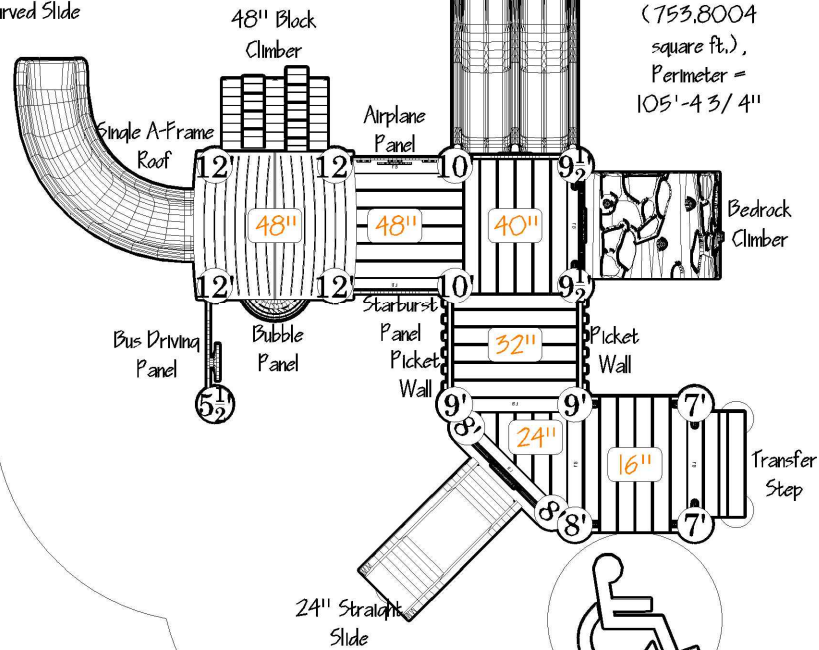
33'-4 1/4"

PLAYMAX
6x6 Structural FRP Posts

48" 90° Curved Slide

48" Triple Rail Slide

(753,8004 square ft.),
Perimeter = 105'-4 3/4"



30'-1 3/4"



PLAY TOPIA
Nurturing Creativity Through Innovative Play™

Playtopia, Inc.
217 Murphy Ave.
Ferguson, Kentucky 42533
Phone: 1-606-485-4406
Web: www.goplaytopia.com
Email: info@goplaytopia.com

Project Name

DWG No.

PT
100349

Playtopia Representative

FOR
AGES
2-5

USE ZONE
34'X31'

IMPORTANT!

As specified by the ASTM standard F.1487, the US consumer Product Safety Commission and Canadian Standard CAN/CSA-2-2-14, resilient surfacing should be utilized within the minimum use zones as specified on this drawing. The resilient surfacing should be installed at the minimum depth as specified by the standards to meet critical fall height requirements.

Drawn By:

Drawn On:
1.22.2015

Representative Information