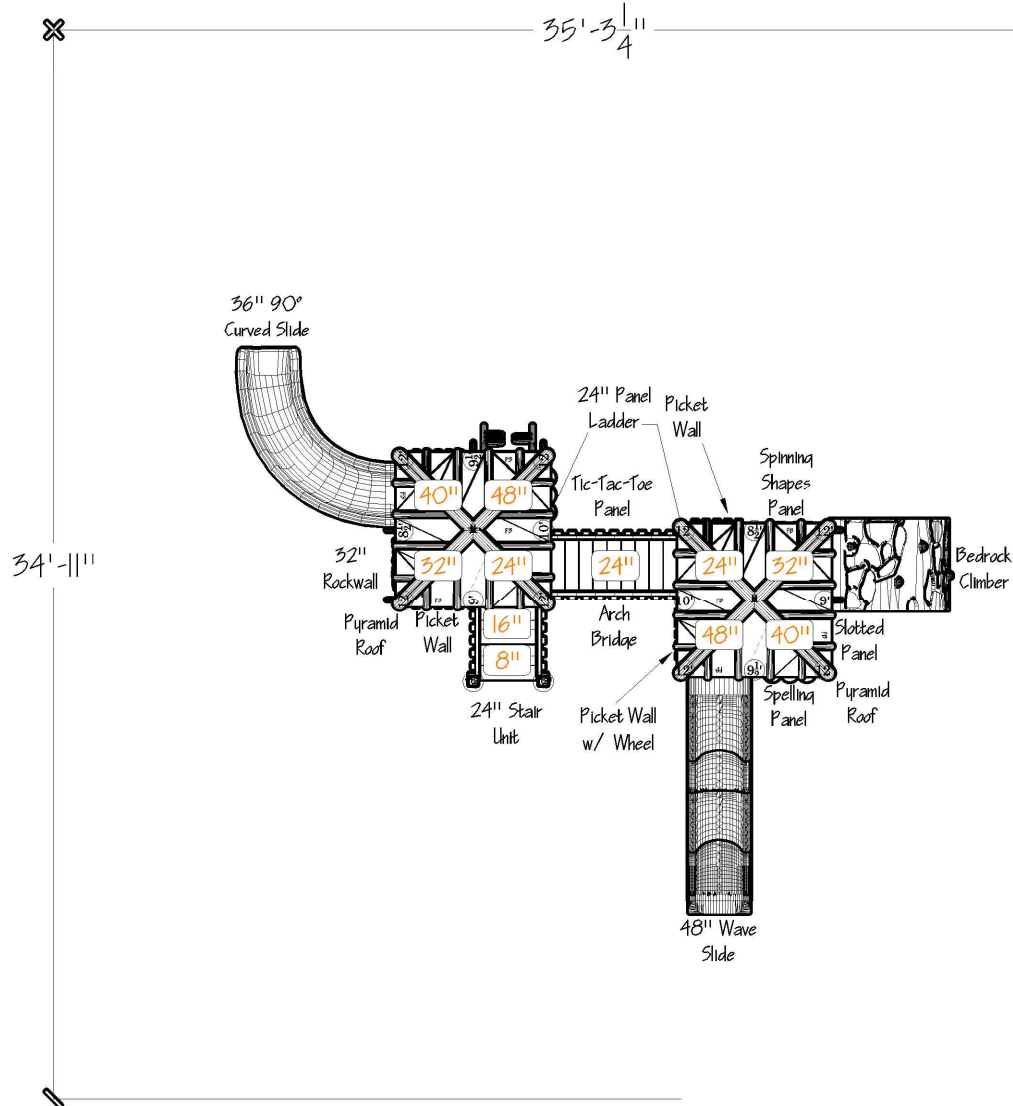




Manufactured with integrity, using a Green Circle Certified Product



Nurturing Creativity Through Innovative Play™

**Playtopia, Inc.**  
217 Murphy Ave.  
Ferguson, Kentucky 42533  
Phone: 1-606-485-4406  
Web: [www.goplaytopia.com](http://www.goplaytopia.com)  
Email: [info@goplaytopia.com](mailto:info@goplaytopia.com)

Project Name

Playtopia Representative

DWG No.  
**VM**  
100110

**FOR**  
**AGES**  
**2-5**  
**USE ZONE**  
**36'X35'**

**IMPORTANT!**

As specified by the ASTM standard F.1487, the US consumer Product Safety Commission and Canadian Standard CAN/CSA-Z-414, resilient surfacing should be utilized within the minimum use zones as specified on this drawing. The resilient surfacing should be installed at the minimum depth as specified by the standards to meet critical fall height requirements.

Drawn By:

Drawn On:  
**6.12.2015**

Representative Information