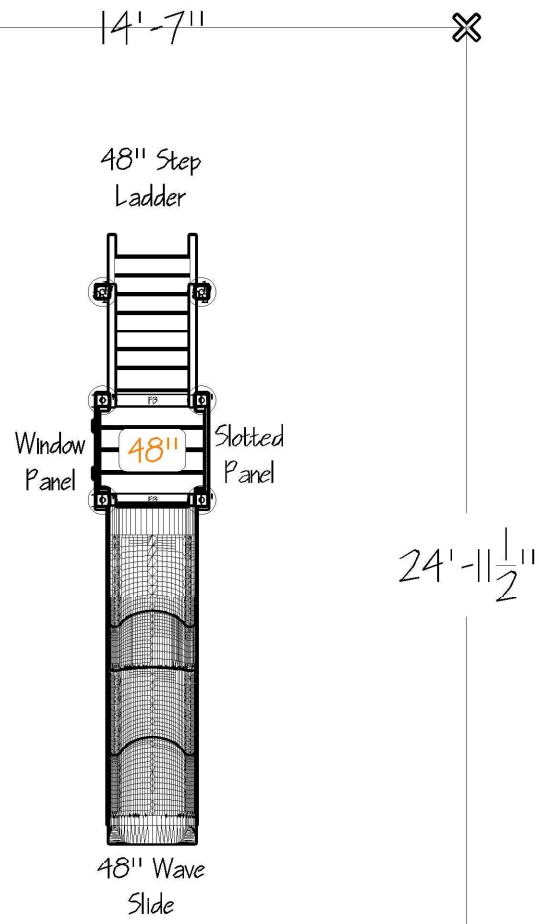




Manufactured, with integrity, using a Green Circle Certified Product



Playtopia, Inc.
217 Murphy Ave.
Ferguson, Kentucky 42533
Phone: 1-606-485-4406
Web: www.goplaytopia.com
Email: info@goplaytopia.com

Project Name	DWG No. VM 100116
Playtopia Representative	

FOR AGES 2-5
USE ZONE 25'X15'

IMPORTANT!
As specified by the ASTM standard F.1487, the US consumer Product Safety Commission and Canadian Standard CAN/CSA-Z-414, resilient surfacing should be utilized within the minimum use zones as specified on this drawing. The resilient surfacing should be installed at the minimum depth as specified by the standards to meet critical fall height requirements.

Drawn By:
Drawn On: 8.1.2015
Representative Information