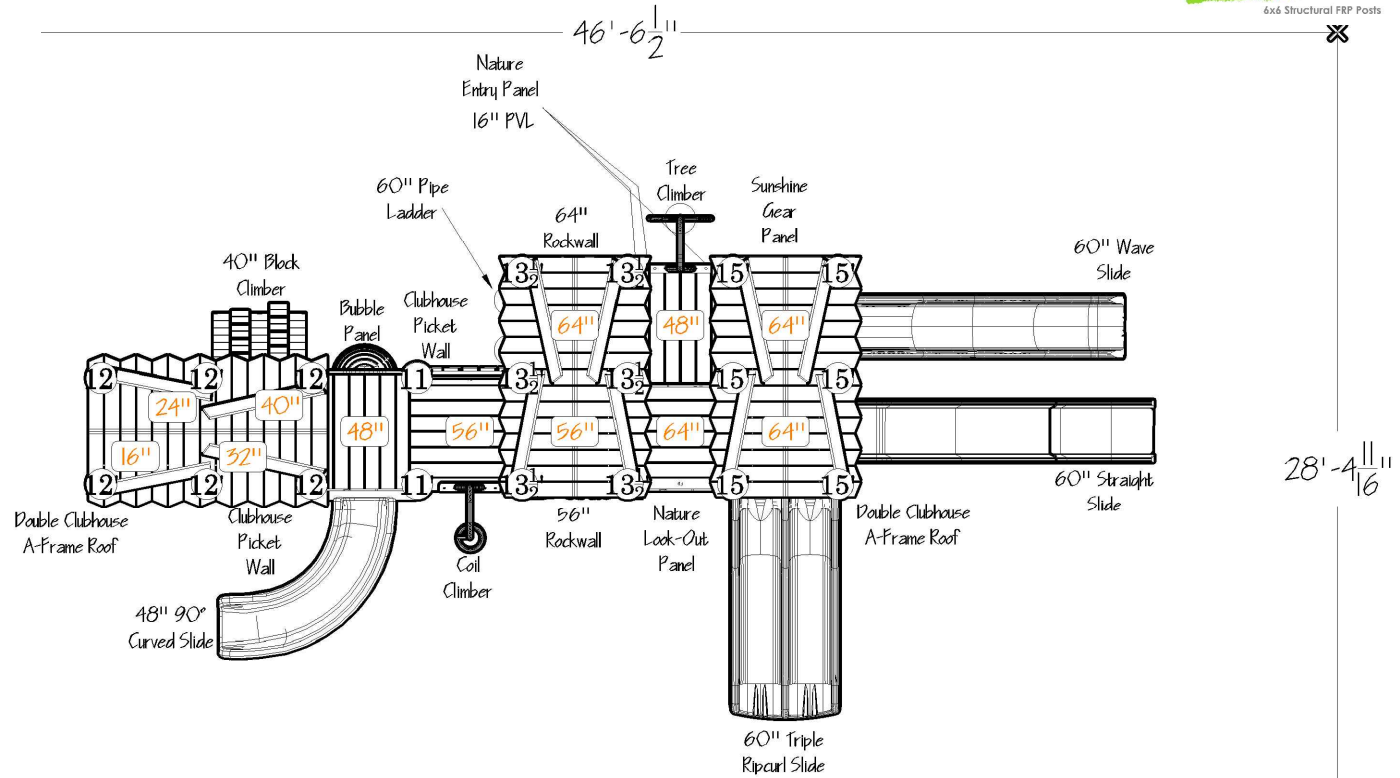




Manufactured, with Integrity, using a Green Circle Certified Product

POLY TUF
POLYFORCE

PLAYMAX
6x6 Structural FRP Posts



PLAY TOPIA
Nurturing Creativity Through Innovative Play™

Playtopia, Inc.
217 Murphy Ave.
Ferguson, Kentucky 42533
Phone: 1-606-485-4406
Web: www.goplaytopia.com
Email: info@goplaytopia.com

Project Name

Playtopia Representative

DWG No.
PT
100410

FOR
AGES
5-12
USE ZONE
47'X29'

IMPORTANT!
As specified by the ASTM standard F.1487, the US Consumer Product Safety Commission and Canadian Standard CAN/CSA-Z-414, resilient surfacing should be utilized within the minimum use zones as specified on this drawing. The resilient surfacing should be installed at the minimum depth as specified by the standards to meet critical fall height requirements.

Drawn By:
Drawn On:
5.9.2015
Representative Information